



Memo

A recent review of our finished goods inventory revealed that we are over-stocked on some items. Attached please see a list of these items. The list includes Tri-Star Part Numbers, Cross-Reference Numbers and/or Descriptions, Quantity and Price per M Pieces.

As part of this package, Specification Drawings are included for your visual review of each item. The guidelines for purchasing these items are as follows:

- ❖ Minimum order is 1,000 pieces and \$125. Items can be combined to reach the \$125 minimum invoice charge.
- ❖ Prices are based on a limited time offer, as “over-stocked” items, excess to our needs
- ❖ All items are subject to prior sale, on a first come – first served basis
- ❖ Pricing and orders are based on one delivery of the order quantity
- ❖ Pricing expires upon inventory depletion or on June 30, 2010

To inquire about availability or to place your order, please contact:

Nancy Barbato
800-882-8980, x21
nancy@tristar-inserts.com

Michele Hackett
800-882-8980, x14
michele@tristar-inserts.com

101 Massirio Drive
Berlin, CT 06037
www.tristar-inserts.com



Phone: 800-882-8980
Phone: 860-828-7570
Fax: 860-828-7475

Certificate No. 10254

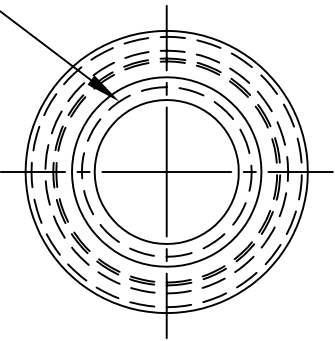
Tri-Star Industries, Inc.
 Over-Stocked Items
 December 2009

<u>Part Number</u>	<u>Cross-Reference Numbers - Description:</u>	<u>Quantity</u>	<u>Price/M</u>
256X125C	UB000256-125 / 860256-125	300,000	\$21.00
3124X562H	6041-5BR-562 / 463124-562	20,500	\$95.00
3824X250C	UB003824-250 / 863824-250	6,000	\$77.00
3824X375H	6041-6BR-375 / 463824-375	5,000	\$99.00
440X226CSS	860440-SS	15,000	\$99.00
632X250M	Mold-in, Thru Thread, Knurled #6-32 x 0.250"	106,000	\$33.00
H1024X250C	UFB001024-250 / 881024-250	39,000	\$38.00
H1032X328P	871032	140,000	\$40.00
M100X625H	6075-10BR-159 / 460100-15.9MM	7,200	\$140.00
M20X157S	6637-2BR-040 / 960020	80,000	\$23.00
M22X188H	6075-2.2BR-048 / 460022-4.8MM	5,000	\$25.00
M30X118C	UBM00305-118 / 860030-118	65,000	\$25.00
M35X250H	6075-3.5BR-064 / 460035-6.4MM	30,000	\$29.00
M35X281S	6675-3.5BR-071 / 960035	7,700	\$27.00
M60X500S	6675-6BR-127 / 960060	150,000	\$58.00
S1032X625C	SC Series Stud, #10-32 x 0.625"	10,100	\$99.00
S440X375C	SC Series Stud, #4-40 x 0.375"	1,000	\$90.00
S440X437C	SC Series Stud, #4-40 x 0.437"	4,000	\$90.00
S632X825H	SH Series Stud, #6-32 x 0.825"	7,100	\$125.00
S832X312H	SH Series Stud, #8-32 x 0.312"	8,000	\$130.00
S832X625H	SH Series Stud, #8-32 x 0.625"	3,700	\$130.00

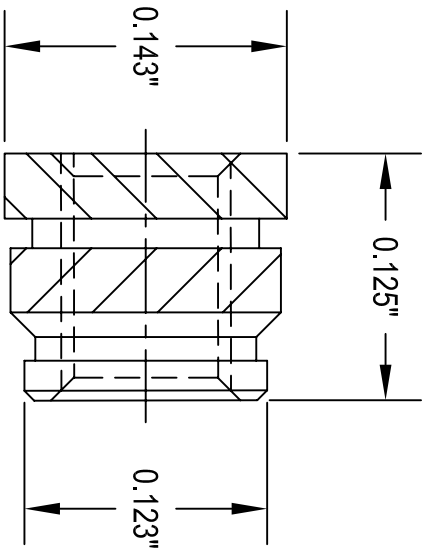
Minimum order quantity is 1M pieces and \$125. Prices are offered as "over-stocked" items, are subject to prior sale and expire upon inventory depletion or 6/30/10. All orders are based on one delivery of the order quantity.

**SPECIFICATION DRAWING
REFERENCE ONLY**

REVISIONS		
SYMBOL	DESCRIPTION	DATE & APPROVAL



THREAD THRU: 2-56 UNC-2B



MATERIAL: BRASS, 360

FINISH: NONE

SCALE: 10X

UNTOLERANGED DIMENSIONS
.XX ± .01" FRACTIONS ± .01"
.XXX ± .004"
ANGLES ± 1°

PROPRIETARY NOTICE:

THIS DRAWING IS THE PROPERTY OF TRI-STAR IND., INC. AND SHALL NOT BE USED, DISCLOSED OR COPIED WITHOUT WRITTEN CONSENT FROM TRI-STAR IND., INC.

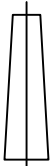
DRAWN BY: JIM HASTE DATE: 07-18-96

APPROVED BY: RAM

DATE: 07-18-96

TRI-STAR INDUSTRIES, INC.
101 MASSIRIO DRIVE
BERLIN, CT 06037

UNLESS OTHERWISE SPECIFIED DIMENSIONS ARE IN INCHES
THIRD ANGLE PROJECTION



INTERPRET DRAWING
PER ANSI Y14.5M

TITLE: C SERIES INSERT

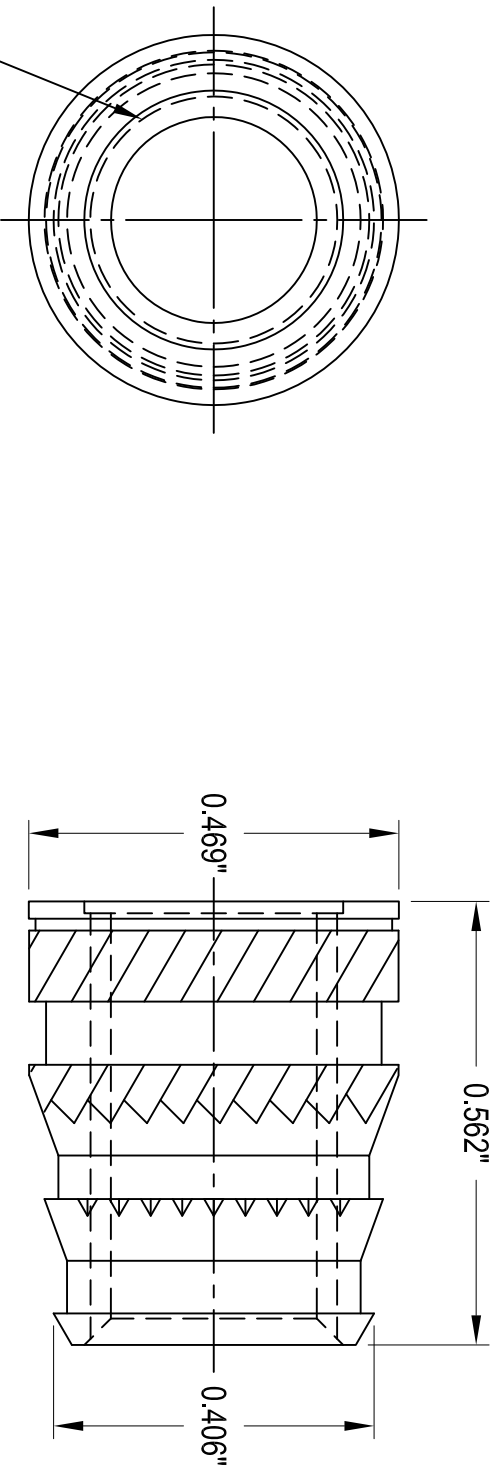
CADD FILE# 256X125C

PART# 256X125C

**SPECIFICATION DRAWING
REFERENCE ONLY**

REVISIONS

SYMBOL	DESCRIPTION	DATE & APPROVAL
--------	-------------	-----------------



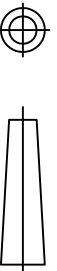
THREAD THRU: 5/16-24 UNF-2B

MATERIAL: 360, BRASS
FINISH: NONE
SCALE: 4X
UNTOLERANCED DIMENSIONS .XX ± .01" FRACTIONS ± .01" .XXX ± .004" ANGLES ± 1°

PROPRIETARY NOTICE:

THIS DRAWING IS THE PROPERTY OF TRI-STAR IND., INC. AND SHALL NOT BE USED, DISCLOSED OR COPIED WITHOUT WRITTEN CONSENT FROM TRI-STAR IND., INC.

UNLESS OTHERWISE SPECIFIED DIMENSIONS ARE IN INCHES
THIRD ANGLE PROJECTION



INTERPRET DRAWING
PER ANSI Y14.5M

DRAWN BY: JIM HASTE DATE: 02-16-93

APPROVED BY: RAM DATE: 02-16-93

TRI-STAR 101 Massio Drive
INDUSTRIES, INC. Berlin, CT 06037 USA
PH: (800) 882-8980 FX: (860) 828-7475
website: <http://www.tristar-inserts.com>

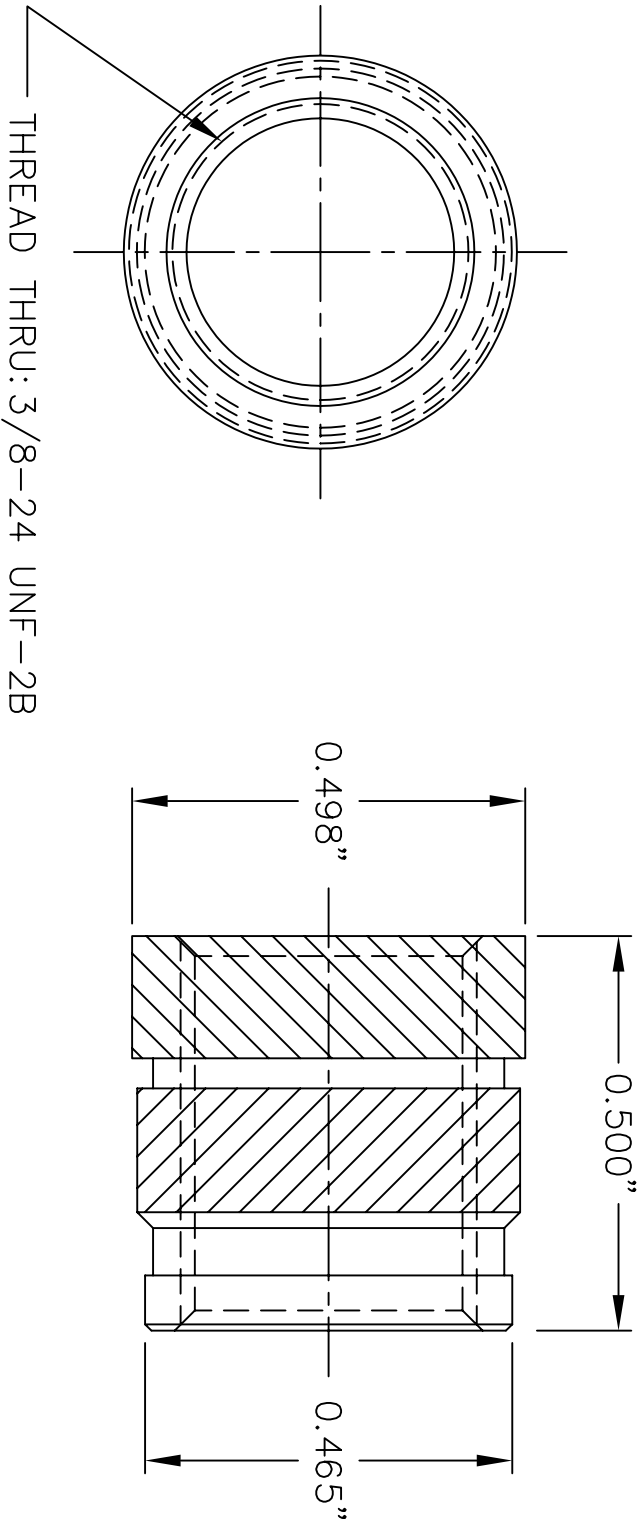
TITLE: H-SERIES INSERT

CADD FILE# 3124X562H

PART#3124X562H

**SPECIFICATION DRAWING
REFERENCE ONLY**

REVISIONS		
SYMBOL	DESCRIPTION	DATE & APPROVAL



MATERIAL: BRASS, 360

FINISH: NONE

SCALE: 4X

UNTOLERANCED DIMENSIONS
.XX ± .01" FRACTIONS ± .01"
.XXX ± .004"
ANGLES ± 1'

PROPRIETARY NOTICE:
THIS DRAWING IS THE PROPERTY OF
TRI-STAR IND., INC. AND SHALL NOT BE
USED, DISCLOSED OR COPIED WITHOUT
WRITTEN CONSENT FROM TRI-STAR IND., INC.

DRAWN BY: JIM HASTE DATE: 12-07-94

APPROVED BY: RAM DATE: 12-07-94

UNLESS OTHERWISE SPECIFIED DIMENSIONS ARE IN INCHES
THIRD ANGLE PROJECTION

TRI-STAR INDUSTRIES, INC.
101 MASSIRIO DRIVE
BERLIN, CT 06037

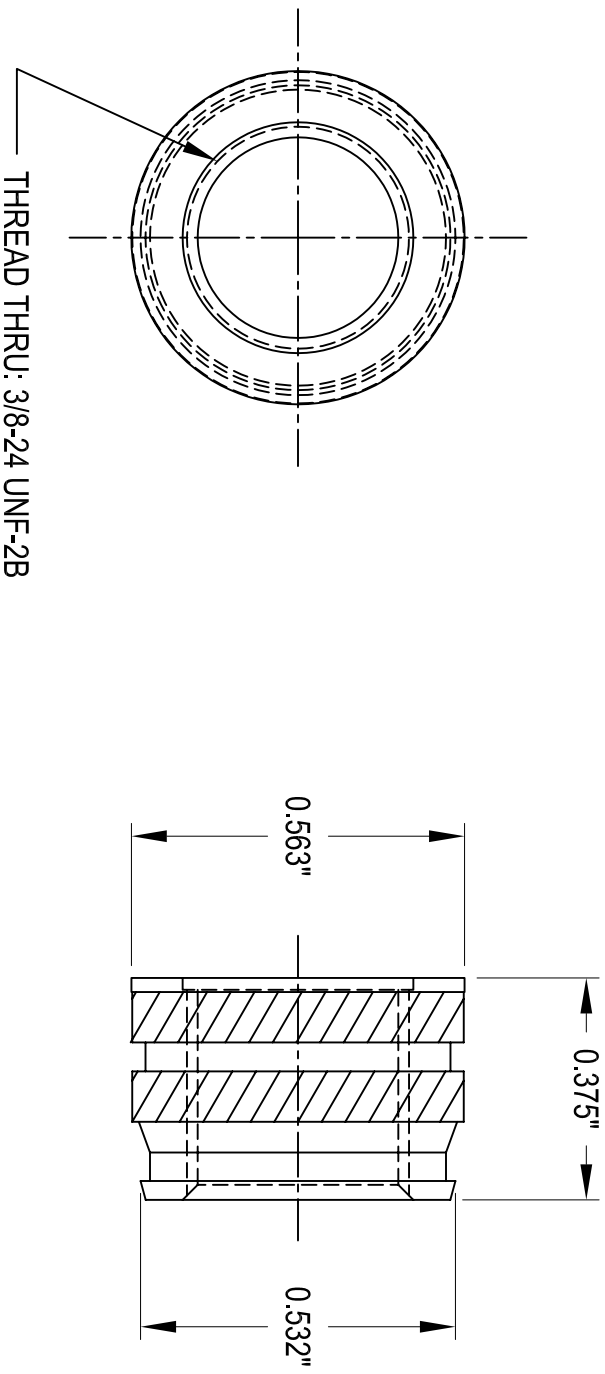




TITLE: C-SERIES INSERT

CADD FILE# 3824X500C PART# 3824X500C

**SPECIFICATION DRAWING
REFERENCE ONLY**

REVISIONS		
SYMBOL	DESCRIPTION	DATE & APPROVAL



MATERIAL: BRASS, 360	PROPRIETARY NOTICE: THIS DRAWING IS THE PROPERTY OF TRI-STAR IND., INC. AND SHALL NOT BE USED, DISCLOSED OR COPIED WITHOUT WRITTEN CONSENT FROM TRI-STAR IND., INC.		DRAWN BY: JIM HASTE DATE: 04-27-95	TRI-STAR INDUSTRIES, INC. 101 MASSIRIO DRIVE BERLIN, CT 06037	
FINISH: NONE	UNLESS OTHERWISE SPECIFIED DIMENSIONS ARE IN INCHES THIRD ANGLE PROJECTION		APPROVED BY: RAM	TITLE: H SERIES INSERT	
SCALE: 3X	  INTERPRET DRAWING PER ANSI Y14.5M		DATE: 04-27-95	CADD FILE# 3824X375H	PART# 3824X375H
UNTOLERANCED DIMENSIONS .XX ± .01" FRACTIONS ±.01" .XXX ±.004" ANGLES ± 1°					